



SEALING



VIBRATION CONTROL



CABIN AIR FILTER

When durability matters

Corteco Cassette Seals



a brand of
FREUDENBERG

CORTECO[®]



The latest generation of

SEALING SOLUTIONS

When seals become contaminated, vehicle performance and reliability is quickly compromised.



Quarry-based vehicles, for example, are expected to operate around the clock while exposed to far greater amounts of dust, moisture and general physical debris than vehicles operating on the road. Operating conditions are harsh, but reliability remains vital.

Cassette seals designed by Freudenberg Sealing Technologies provide the perfect solution and form part of a new generation of 'closed sealing' solutions that resist contamination in extreme working conditions and tough operating environments.



As the aftermarket distribution arm of the Freudenberg Group, Corteco has a comprehensive seal range that now includes almost every sealing option, from traditional gaskets and O-rings to the latest low-friction Cassettes.



THE CASSETTE SEALING SYSTEM

FST is a market leader in the development of sealing solutions for OE vehicle manufacturers and a product portfolio with a strong OE pedigree.

Cassette Seals were developed for vehicles working continuously in extremely harsh physical environments on a daily basis.

Cassette sealing system technology is now used in a wide number of applications and FST has developed a broad range of different sizes for a variety of applications.

The most important aspects for the selection of Cassette Seals are:

- Temperature
- Circumferential speed
- Axial play
- Fitting procedure
- Degree of contamination of the surrounding area

Choice of sealing materials

In addition to its product design and innovative capabilities, FST has access to resources that include thousands of different types of raw materials.

Each individual component may comprise of combinations of many different rubber or plastic compounds that are used in association with various coatings and adhesives.

OE manufacturers are happy to include FST in the selection of raw materials, in product design, as well as the development and production processes of the seals that are fitted to their vehicles.

The choice of sealing materials used in individual cassette seals is based upon:

- Operating environment
- OE design
- FST experience

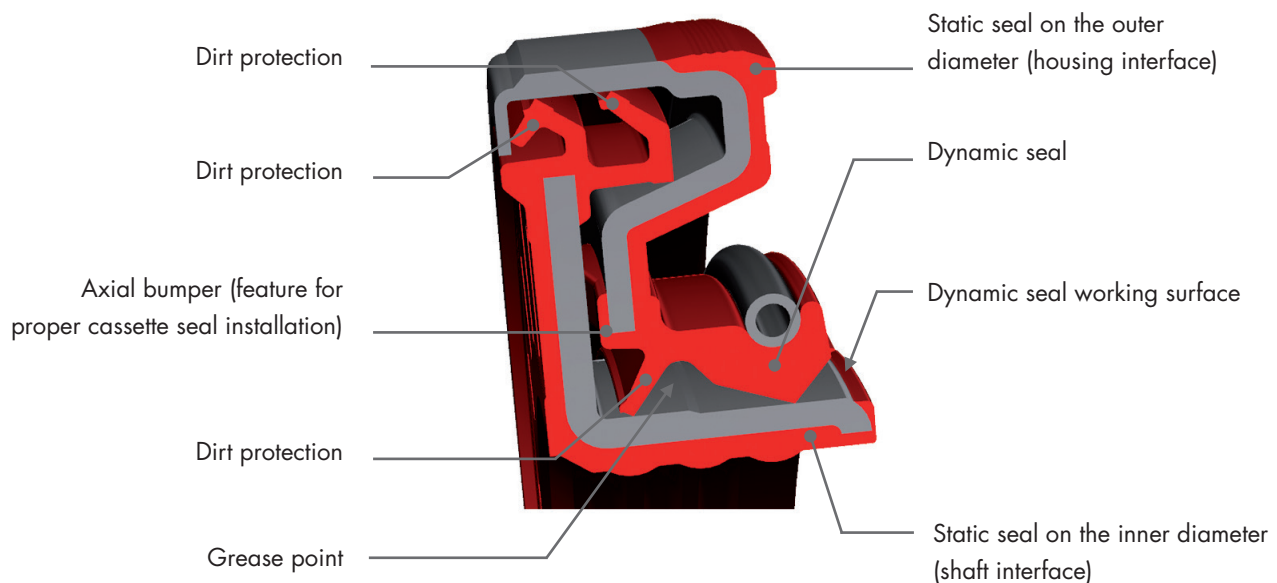
FST is a name that OE manufacturers know they can trust and that's the reason why FST manufactures billions of Seals each year.

By working closely with FST, Corteco has developed a Cassette Seals product range to match the needs of the aftermarket - and thanks to some extensive logistical experience, the correct sealing solution for almost every application is never very far away.

CASSETTE SEALS

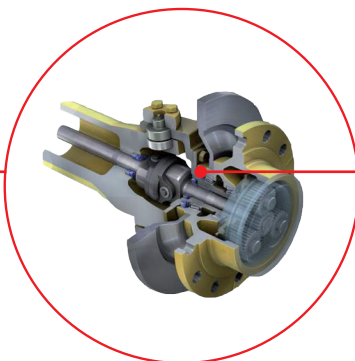
- THE INSIDE STORY

Product description: technical features



Internal dynamic and static sealing systems provide ultimate protection from any external soiling and contamination that will otherwise compromise application performances and adversely affect vehicle reliability.

Each cassette seal consists of an oil seal and a sleeve, which have been unitized. Labyrinth seal technology protects them from external soiling.



PRODUCT RELIABILITY

Corteco Cassette Seals, developed in association with FST, deliver reliable first time fit solutions that fleet operators can depend upon. Each cassette seal includes:

- Static sealing system
- Dynamic sealing system
- Dust lips for dirt protection

Automotive applications

Automotive applications are characterized by MEDIUM level of contamination, intensive utilization and high speed for long distances and periods.

The utilisation of Cassette Seals in automotive covers many fields: **pick-up, commercial vehicles and on-road trucks.**

Application mission is extremely severe: Long Term Reliability is mandatory in difficult conditions – heat generation.

The best choice for these working conditions are the Cassette Seals S1 and Cassette Seals S2.

General Industry applications

General Industry applications are characterised by severe contamination presence, intensive utilisation, continuous start and stops with short distances and high repair costs.

The utilisation of Cassette Seals in General Industry cover many fields: **off-road trucks, agriculture, earth moving machines, implements, etc.**

Application mission is extremely severe: Long Term Reliability is mandatory in harsh conditions – persistent dust, heavy mud and semi submersion.

The best choice for these working conditions are the Cassette Seals S3.

S1

For high (up to 9 m/s) circumferential speed and low soiling levels.



S2

For medium (up to 7 m/s) circumferential speed and medium soiling levels.



S3

For low (up to 6 m/s) circumferential speed and extreme soiling levels.



SPEED

DIRT PROTECTION

CORTECO CASSETTE SEALS RANGE

Typical applications are listed and OE part numbers have been cross-referenced with Corteco part numbers for ease of identification.

CORTECO	Inner Diam. (mm)	Outer Diam. (mm)	Height (mm)	Type 1	Type 2	Type 3	Material
12015223B	25	52	12			●	NBR
01033115B	25	52	11,5/18	●			NBR
12017029B	35	60	13/14,5			●	NBR
12019775B	35	65	14,5/17			●	NBR
12014654B	35	92/98	13/27		●		NBR
12020022B	37	85	15/15,5			●	FPM
12015392B	45	70	14/17			●	NBR
12019419B	45	75	13/14,5	●			FPM
12015395B	48	75	14/17			●	NBR
12020351B	48	75	14/17			●	FPM
12018678B	53,2	78	13/14			●	NBR
12016792B	55	80	12,5/14	●			FPM
12016445B	56	80	13/14,5			●	ACM
12016694B	56	80	13/14,5			●	FPM
12018036B	56	80	13/14,5			●	NBR
12035811B	60	82,5	25,6	●			PTFE
12015791B	60	90	14/16,3	●			FPM
12019512B	60	90	14/16,3	●			FPM
01029698B	62	80/86	9/14			●	NBR
12015928B	65	90	13	●			FPM
12018849B	65	92	10/15		●		FPM
12015510B	65	100	14	●			FPM
12018171B	66	91	14,7/17	●			FPM
12018907B	66,15	91	12,5/14			●	NBR
12016648B	67	100	13/15	●			FPM
12015793B	70	90	13,5/14,5	●			FPM
12019134B	70	95	10,5	●			NBR
12018338B	70	95	13/14,5			●	NBR
12019199B	70	95	13/14,5			●	FPM
12029817B	70	100	12,5/16	●			PTFE
12015792B	70	100	13,5/15	●			FPM
12015792B	70	100	13,5/15	●			FPM
12018598B	73	101,6	14,5/15,5			●	NBR
12017173B	75	100	10/13	●			NBR
12019120B	75	100	13/14,5		●		FPM
01033904B	75	110/134	10/17		●		NBR
12019145B	80	100	12/13,7		●		NBR
12033893B	80	110	9/13			●	FPM
01019462B	80	120	13,5/16	●			NBR
01029128B	82,55	114,25	14/19		●		FPM
12018653B	85	105	12/18		●		FPM
12018654B	85	105	12/18		●		FPM
12014974B	85	110	13/14,5			●	ACM
12016635B	85	110	13/14,5			●	NBR
12017093B	85	110	13/14,5			●	FPM
12019701B	85	120	10/21		●		FPM
12018594B	85	130	10/21	●			FPM
19034606B	85	140	17			●	FPM
01017057B	85	140	15/16,5			●	FPM
12020256B	87,36	120,76	13/14,5		●		NBR
12015972B	88	123	15	●			VMQ
12018599B	88,9	120,65	14,5/16			●	NBR

CORTECO	Inner Diam. (mm)	Outer Diam. (mm)	Height (mm)	Type 1	Type 2	Type 3	Material
19034570B	90	130	17	●			NBR
01015529B	90	140	15,5/20	●			FPM
12036895B	90	151	11/18		●		FPM
12015509B	95	130	16	●			FPM
01030116B	100	120	11/16,5			●	NBR
12029819B	100	130	14	●			VMQ
19034569B	100	130	17	●			NBR
12017274B	100	135	13/15			●	NBR
01015141B	100	140	15,5/20		●		FPM
19034447B	105	130	13	●			NBR
12018854B	105	135	13/17	●			PTFE
12040000B	105	140	13,5/14,5		●		NBR
12017196B	108	152,6/160	15/16,5		●		NBR
12016931B	108	152,6/186	19	●			NBR
12014492B	110	140	14,5/16		●		NBR
19036817B	110	140	14/17		●		NBR
01019705B	110	140	15,5/20	●			FPM
12017210B	111	146	13,5/14,5			●	NBR
12015973B	112	147	15	●			FPM
12017353B	114,1	152/159,3	14			●	FPM
12018944B	117,48	152,36	22		●		NBR
12019553B	120	150	14/15,5			●	FPM
12018572B	120	160	15,5/17			●	NBR
01015143B	120	160	15,5/20	●			FPM
12015880B	121	170	15,5/17	●			FPM
01025740B	121,8	150	13/15			●	NBR
12020014B	122	142	10/15		●		FPM
19034607B	125	160	17	●			FPM
01015140B	125	160	15,5/20	●			FPM
19036786B	125	148,3/157,3	9,95/12,5	●			FPM
01026336B	125	160/190	18/20	●			FPM
12017098B	127	160	15,5/17,5			●	NBR
19036924B	127	160/191,5	15/20		●		FPM
12029818B	130	155	12,5/16	●			PTFE
12029820B	130	160	14	●			VMQ
12016448B	130	160	14,5/16			●	NBR
12019945B	130	170	18/20		●		FPM
19036785B	132	172	12	●			FPM
19036823B	132	172	12,5/14,5		●		FPM
12020445B	133,35	180	17	●			FPM
01019880B	135	175	15,5/20	●			NBR
12020157B	135	170/205	11/16			●	FPM
19036752B	135	175/205	18	●			FPM/NBR
12019619B	136,8	165	13			●	NBR
01025609B	137	165	13,5	●			FPM
12019683B	139	175/205	16,3			●	FPM
12016451B	140	170	14,5/16			●	FPM
12016688B	140	170	14,5/16		●		NBR
19036826B	140	170	14/17	●			NBR
12020496B	142	170	15/16		●		NBR
19036798B	145	170	18		●		FPM/NBR
12019116B	145	175	14,5/15,5			●	NBR
19026423B	149,9	176	16	●			NBR
12013126B	150	176	15,5/16		●		NBR
12018035B	150	180	14,5/16		●		NBR
12018750B	150,15	178	13/16			●	NBR
19035528B	154	186,5	19/30	●			PTFE
19035527B	154	186,6	19/30	●			PTFE
12014851B	155	190	17,5/19		●		FPM
12014852B	155	190	17,5/19		●		NBR
12016391B	155	195	16,5/18			●	NBR
19036797B	158	188	16			●	NBR

CORTECO	Inner Diam. (mm)	Outer Diam. (mm)	Height (mm)	Type 1	Type 2	Type 3	Material
12017426B	158	188	14,5/16			●	FPM
12019930B	165	190	15,5/16,5		●		NBR
12015149B	165	195	16,5/18			●	NBR
01027784B	167,8	198	13/14,5			●	NBR
12019084B	170	200	15/16			●	FPM
12018729B	173	200	15,5/17		●		ACM
19034568B	178	205	17	●			NBR
12018107B	178	208	16/18			●	NBR
12017354B	179	200	15,5/16,5	●			FPM
12037008B	189,8	230	15,5/17			●	NBR
12016896B	190	215	15,5/17		●		NBR
12015136B	190	220	16/18			●	NBR
12019113B	210	240	16/18			●	ACM
12019114B	210	240	16/18			●	NBR
12019336B	235	270	18,5/22		●		FPM

OE-NUMBERS

Manufacturer	OE	Corteco
ARVIN MERITOR		
	21220158	12017274B
	21200321A	12018944B
CARRARO		
	47705	12013126B
	126324	12013126B
	140392	12014492B
	134339	12014654B
	247534A1	12014654B
	133431	12014974B
	140497	12015136B
	140368	12015149B
	132741	12015392B
	132742	12015395B
	47700	12016448B
	47703	12016448B
	126323	12016448B
	139279	12016448B
	133431	12016635B
	138214	12016792B
	130171	12017029B
	47701	12018035B
	47702	12018035B
	133267	12018035B
	149702	12018035B
	146668	12018036B
	141782	12018107B
	138215	12018338B
	145050	12018849B
	149439	12019114B
	144936	12019134B
	127869	12019775B
	339592	12020351B
	47710	19034568B
	126325	19034568B
CASE		
	1964235C1	01025740B
	1964235C2	01025740B
	84295352	01025740B
	247877A1	12013126B
	B507124	12014492B
	247534A1	12014654B
	247519A1	12015392B
	300167A1	12015395B

Manufacturer	OE	Corteco
	311569A1	12016448B
	247546A1	12018035B
	87415728	12018035B
	1964236C1	12019619B
	87381732	12020014B
	87802757	12020014B
	87301595	12035811B
CATERPILLAR		
	1792801	12016688B
	1197045	12018678B
	1306879	12018750B
	6R-5257	12019619B
	2692430	12037008B
	1425867	19035527B
	1425868	19035528B
CHALLENGER		
	053965R1	12015392B
	053850R1	12018035B
CLASS		
	3225110	12013126B
	6000147705	12013126B
	6000103332	12014654B
	6000104509	12015395B
	6000105287	12016448B
	6000147703	12016448B
	2132651	12017093B
	-	12017173B
	6005030587	12018035B
	6005023964	12018338B
	7700039131	19034447B
CUMMINS		
	4890832	12029817B
	4890833	12029818B
DAF		
	292766	01015140B
	678157	01015143B
	1278421	01015529B
	376992	01017057B
	77061	01019462B
	893004	01019705B
	13915219	01019705B
	1335063	01026336B
	1409889	12020496B
	1534012	12020496B
	1399472	12029817B
	1403960	12029818B

Manufacturer	OE	Corteco
	1700329	19034569B
	AMPA009	19034569B
	AMPA352	19034569B
	AMPB584	19034569B
	1404690	19034570B
	ACU6695	19034570B
DANA		
	001.21.1393	12014492B
	1230601602	12014851B
	1230601601	12014852B
	3429815M1	12015136B
	3429790M1	12015149B
	3429790M2	12015149B
	3765528M1	12015392B
	000.051803	12016391B
	000.051867	12016391B
	000.051846	12016445B
	000.51846.B	12016445B
	355.14.007.01	12016445B
	3764632M1	12016445B
	000.051787	12016448B
	000.051870	12016448B
	001.21.3211	12016688B
	177.06.009.01	12016688B
	7330604701	12016694B
	000.051816	12017029B
	9700602301	12017093B
	000.051785	12018035B
	7380606901	12018035B
	000.051804	12018338B
	3764633M1	12018338B
	760.06.016.02	12018338B
	3699800M2	12018598B
	770.06.010.01	12018598B
	3429889M2	12019114B
	212.06.055.01	12019116B
	750.06.030.01	12019199B
DEUTZ-FAHR		
	4415117	01027784B
	2.1529.120.0	12014974B
	2.1529.114.0	12015223B
	2.1529.139.0	12015792B
	2.1529.113.0	12016445B
	2.1529.149.0	12016792B
	2.1529.115.0	12017029B
	4402442	12018338B
	4415094	12018678B
	2.1529.124.0/30	12018729B
	4415098	12018750B
	4415121	12018907B
	2.1529.110.0	12019084B
	2.1529.138.0	12019113B
	2.1529.158.0	12019145B
	2.1529.160.0	12019336B
	4393239	12019619B
FENDT		
	H816300020100	12016391B
	H524300020110	12016445B
	H524300020100	12018035B
	H816300020110	12018338B
	F510300020430	12018678B
	F510300020440	12018750B
	F199300020261	12019619B
FIAT HITACHI		
	75287585	12014851B
	76041491	12014851B

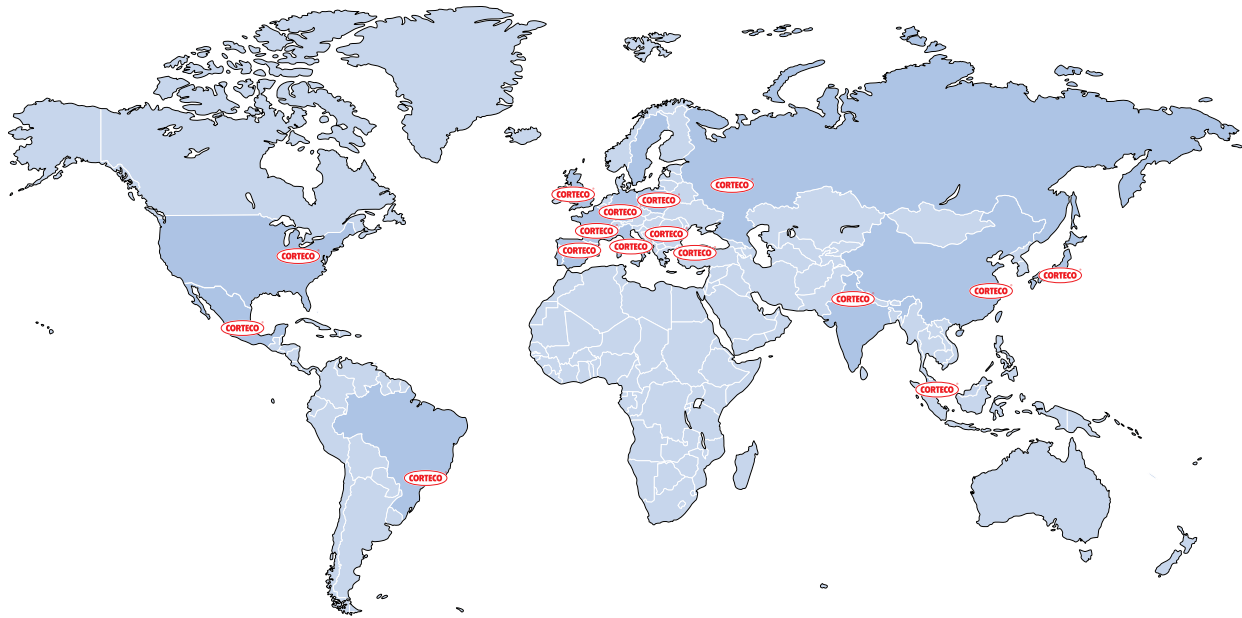
Manufacturer	OE	Corteco
FORD		
	2C466700AA	12018854B
FORD NEW HOLLAND		
	3996064	12013126B
	9968085	12013126B
FRUEHAUF		
	M003125	12016931B
	AJA0564001	12017196B
GRAZIANO		
	71528	12014851B
	71563	12016448B
	3292083	12017098B
	71531	12019084B
HURLIMANN		
	2.1529.120.0	12014974B
	2.1529.114.0	12015223B
	2.1529.139.0	12015792B
	2.1529.113.0	12016445B
	2.1529.149.0	12016792B
	2.1529.115.0	12017029B
	2.1529.124.0/30	12018729B
	2.1529.110.0	12019084B
	2.1529.138.0	12019113B
	2.1529.158.0	12019145B
	2.1529.160.0	12019336B
	215291210	19034568B
HURTH		
	1211393	12014492B
IVECO		
	40102140	12015509B
	40102140	12015509B
	40102143	12015509B
	7185250	12015509B
	40100450	12015510B
	40102130	12015510B
	40102133	12015510B
	40102263	12015791B
	40102280	12015792B
	40102283	12015792B
	40102270	12015793B
	40102273	12015793B
	40102330	12015880B
	40102333	12015880B
	40102293	12015928B
	99447290	12015972B
	99447291	12015973B
	40102833	12016648B
	40102321	12017353B
	40102943	12017354B
	2475977	12018944B
	7182982	12019419B
	7185355	12019419B
	7185870	12019512B
	42548295	12019945B
	93163213	12019945B
	7178936	12020445B
	7179838	12020445B
	4890832	12029817B
	4890833	12029818B
	40102680	12029819B
	40102683	12029819B
	504078251	12029819B
	40102690	12029820B
	40102693	12029820B
	504244493	12029820B
	40102301	12033893B

Manufacturer	OE	Corteco
	93160765	19034606B
	93160832	19034607B
	500023256	19036823B
	503126456	19036823B
JCB		
	90413600	01033115B
	90450025	12017098B
	90450033	12017098B
	904M6779	12017098B
	81310061	12018036B
JOHN DEERE		
	AL68210	01025740B
	AL154055	01027784B
	AL81842	01027784B
	EQ501471	12013126B
	ER047705	12013126B
	RE73082	12013126B
	ER140392	12014492B
	RE160846	12014492B
	AL115662	12016391B
	AL161384	12016445B
	ER047700	12016448B
	R113984	12016448B
	RE282357	12016694B
	AL159594	12018035B
	ER047702	12018035B
	RE204870	12018035B
	AL154056	12018171B
	AL79951	12018678B
	AL79950	12018750B
	AL81843	12018907B
	AL115661	12019199B
	AL160535	12019199B
	AL200971	12019619B
	AL38045	12019619B
	AL68616	12019619B
	AT218733	12019619B
	T116819	12019619B
	T82558	12019619B
	T2795558	12037008B
	RE73082	19026423B
KAMAZ		
	45104310400191	19036826B
LAMBORGHINI		
	2.1529.120.0	12014974B
	2.1529.114.0	12015223B
	2.1529.139.0	12015792B
	2.1529.113.0	12016445B
	2.1529.149.0	12016792B
	2.1529.115.0	12017029B
	2.1529.124.0/30	12018729B
	2.1529.110.0	12019084B
	2.1529.138.0	12019113B
	2.1529.158.0	12019145B
	2.1529.160.0	12019336B
	215291210	19034568B
LANDINI		
	3541510M1	12013126B
	3015547X1	12015136B
	3429815M1	12015136B
	3429815M3	12015136B
	3429790M1	12015149B
	3429790M2	12015149B
	3764632M1	12016445B
	3015275X1	12016635B
	3764633M1	12018338B

Manufacturer	OE	Corteco
	3699800M2	12018598B
	3429889M2	12019114B
LIEBHERR		
	10220111	12019619B
	7014331	12019619B
	10489610	12037008B
MAN		
	6562890268	01019880B
	81965030283	01029128B
	81965030424	12018594B
	81965030460	12019553B
	81965036000	12019683B
	81965030415	12019701B
	81965030479	12019701B
	36965030001	12019945B
	81965030188	12020157B
	81965030207	12020157B
	81965030398	12020157B
	6562890184	12020256B
	81965030161	12020256B
	81965030171	12040000B
	81965030298	19036752B
	36965030003	19036785B
	81965030333	19036785B
	81965030399	19036785B
	36965030017	19036823B
MANITOU		
	473671	12019619B
MASCHIO		
	556239	12016635B
MASSEY FERGUSON		
	3785540M1	12014654B
	3015547X1	12015136B
	3429815M1	12015136B
	3429815M3	12015136B
	3429790M1	12015149B
	3429790M2	12015149B
	053965R1	12015392B
	3765528M1	12015392B
	3785500M1	12015392B
	3764632M1	12016445B
	068383R1	12016448B
	VA047703	12016448B
	3015275X1	12016635B
	053850R1	12018035B
	3764633M1	12018338B
	3699800M1	12018598B
	3699800M2	12018598B
	894763M4	12018598B
	3429889M2	12019114B
	041057R1	12019775B
MC CORMICK		
	247519A1	12015392B
	300167A1	12015395B
	311569A1	12016448B
	3015275X1	12016635B
	704687A1	12029818B
MERCEDES-BENZ		
	189973347	01025609B
	9059970246	01029698B
	229973447	01030116B
	9709970446	01033904B
	229971247	12018338B
	9423530159	12019701B
	942353015927	12019701B
	139975946	12019945B

Manufacturer	OE	Corteco
	239972647	12019945B
MERLO		
	41695	12016896B
NEW AGE		
	915-2850	12018572B
	216-2850	12018598B
	417-2850	12018599B
NEW HOLLAND		
	1349265C1	12013126B
	83996064	12013126B
	85821288	12013126B
	9968085	12013126B
	47123921	12014654B
	5178141	12015136B
	5183488	12015136B
	5183844	12015136B
	86027229	12015136B
	87355801	12015136B
	47123727	12016448B
	85824344	12016448B
	87349641	12018035B
	98315686	12018338B
	1457531	12019619B
	153318775	12019619B
	81870159	12019775B
	87309584	12019930B
	87349657	12020022B
	5194258	19034568B
	9967701	19034568B
NISSAN		
	43252D6200	12018338B
RENAULT TRUCKS		
	6000147705	12013126B
	6000103332	12014654B
	6000104509	12015395B
	6000105287	12016448B
	6000147703	12016448B
	5000823891	12016451B
	6005009891	12018035B
	6005030587	12018035B
	6005023964	12018338B
	5010368901	12018944B
	5000288417	19036817B
ROCKWELL		
	21200321A	12018944B
SAME		
	2.1529.120.0	12014974B
	2.1529.114.0	12015223B
	2.1529.139.0	12015792B
	2.1529.113.0	12016445B
	2.1529.149.0	12016792B
	2.1529.115.0	12017029B
	2.1529.124.0/30	12018729B
	2.1529.110.0	12019084B
	21529177010	12019084B
	2.1529.138.0	12019113B
	2.1529.158.0	12019145B
	2.1529.160.0	12019336B
	215291210	19034568B
SCANIA		
	350984	01015140B
	3509841	01015140B
	1313719	12017173B
	1409890	12017173B
	2057586	12017173B
	1309342	12017426B

Manufacturer	OE	Corteco
	13093422	12017426B
	1363674	12017426B
	1386594	12018653B
	1502385	12018653B
	1380160	12018654B
	1393331	12018654B
	1502384	12018654B
	1415136	12019945B
	1740992	12020496B
	1342708	19016423B
	1528043	19036797B
	1786639	19036797B
	1907845	19036797B
	1363673	19036798B
	1736562	19036798B
	1850981	19036823B
TRAILOR		
	43752	12017210B
	6502085T	12017210B
VALTRA		
	31062710	01025740B
	-	12015149B
	KH3632	12016688B
	31795910	12018035B
	KH4967	12018035B
VOLVO		
	1593459	01015141B
	85109330	12019945B
	21448461	12036895B
	20518642	19036786B
	1673683	19036924B
	3094807	19036924B
ZETOR		
	930232	12016448B
ZF		
	734309762	12037008B
	734319425	12037008B
	734319644	19036785B
	734300257	19036823B
ZF PARTS		
	734309317	01025740B
	734309421	01025740B
	750110147	01025740B
	734309281	01027784B
	734309331	01027784B
	734309386	01027784B
	734309401	01027784B
	734309412	12015136B
	734319666	12018171B
	734309321	12018678B
	734309419	12018678B
	734319669	12018678B
	750110153	12018678B
	734309323	12018750B
	734309423	12018750B
	750110155	12018750B
	734309330	12018907B
	734309356	12018907B
	734309758	12018907B
	734319723	12019120B
	734309291	12019619B
	734309422	12019619B
	750110156	12019619B
	734319610	12019945B



CORTECO GmbH

Badener Str. 4
69493 Hirschberg
Germany
Phone: +49-6201-25964-0
Fax: +49 6201 25964-11

CORTECO S.A.S.

Z.A. La Couture
87140 Nantiat
France
Phone: +33-5-55536800
Fax: +33 5 55 53 68 88

CORTECO S.r.l. (a socio unico)

Via P. Poccardi 3
Zona Industriale Porporata
10064 Pinerolo (TO)
Italy
Phone: +39-0121-369269
Fax: +39-0121-369299

CORTECO Ltd.

Unit 6, Wycliffe Industrial Park
Lutterworth
Leicestershire
LE17 4HG
United Kingdom
Phone: +44-1455-550000
Fax: +44 1455 5500-66

CORTECO Spain & Portugal

Freudenberg Iberica
Pol. Ind. Can Volart
C/Gurri 1
08150 Parets del Vallés (Barcelona)
España
Phone: +34-93-5738741
Fax: +34 93 5624676

CORTECO Eastern Europe

Freudenberg Simrit
111141 Moscow, Elektrodnyaya str.2,
Building 12-13-14
Russia
Phone: +7-495-3800650
Fax: +7-495-3800651

CORTECO Poland

53-014 Wrocław
Ul. Warsztatowa 11
Poland
Phone: +48-71-3399755
Fax: +48 71 33997-00

CORTECO Balkan States

Gajeva 27.
21208 Sremska Kamenica
(Novi Sad), Serbia
Phone: +381691011029
Fax: +38121465258

CORTECO Asia

18 Tractor Road
Singapore 627976
Singapore
Phone: +65-6561-6651
Fax: +65 6561 6862

CORTECO Ishino Japan

Corteco Ishino Corporation
1-4-8, Shiba-Daimon, Minato-ku
Tokyo 105-0012
Japan
Phone: +81-3-5405-8411
Fax: +81-3-5405-8412

CORTECO China Co. Ltd.

2nd floor, 8# building
No.333 Zhujian Road
Minhang District
Shanghai, P.R.C.
Phone: +86-213470-1680
Fax: +86 21 3468 9697

CORTECO India Pvt. Ltd.

370 First Floor, Udyog Vihar
Phase 6, Sector 37
Gurgaon 122001 Haryana
India
Phone: +91 124 4019274

CORTECO USA

11617 State Route 13
Milan, Ohio 44846
USA
Phone: +1-419-4992502
Fax: +1 419 4992-804

CORTECO South America

Av. Piraporinha, 411
09950-902 São Paulo/Diadema
Brasil
Phone: +55-11-40728010
Fax: +55 11 40752535

CORTECO Mexico

Circuito El Marques Norte #14
Parque Industrial el Marques
El Marques, Querétaro
C.P 76240
Mexico
Phone: +52 (442) 153 3278

CORTECO Turkey

Freudenberg Sealing Technologies
Sanayi ve Ticaret A.Ş.
NOSAB 204 Sk. No: 3
16140 Nilüfer Bursa
Turkey
Tel. +90 224 411 13 40